

# PAX-121 (M Model)

## 21.5" Multimodal Clinical Display



### Features

- Wide 21.5 screen with Full HD 1920x1080 resolution
- Fanless design with optional upgrade IP54-rated protection for superior hygiene and infection control
- Multimodal design for easy upgrades and maintenance
- With 10 point multi-touch control function



### Introduction

PAX-121 multimodal model is a versatile touch monitor with optional IP54 environmental protection. With touchscreen and cover glass options. Modularized design enables one step to upgrade to all-in-one computer with easy maintenance feature as well.

### Specifications

LCD	Screen Size	21.53"
	Resolution	1920 x 1080
	Aspect Ratio	0.672916667
	Pixel Pitch	0.08265 x 0.24795mm
	Viewing Angle	R/L 178(Type.),U/D 178(Type.)
	Contrast Ratio	1000:1
	Native Luminance (Typ)	250nits
	Color Depth	16.7 Million (6-bit + A-FRC)
	Display Mode	Transmissive Mode, Normally black
	Response Time	14 msec (Typ, on/off)
	Touch Screen	10-point multi touch P-CAP (clear glass); Option without Touch
Backlight	LED	
Input	DP 1.2 input	1 x DP Jack DisplayPort 1.2, 1920 x 1080 @ 60 Hz max.
	HDMI 1.4 Input	HDMI Jack x 1 (Type A) Digital RGB: TMDS, 1920 x 1080 @ 60 Hz max.
	DVI Input	DVI Jack x 1 (DVI) Digital RGB: TMDS, 1920 x 1080 @ 60 Hz max.
	USB Up	USB-B Jack x 1
	Audio Input	Audio Jack x 1
Output	HDMI 1.4 output	HDMI Jack x 1 (Type A) Digital RGB: TMDS, 1920 x 1080 @ 60 Hz max.
	Audio Output	Audio Jack x 1
Audio	Speaker	2Watt x 2
Power	Rating	DC 12V/5A max
IP Rating	Front Panel	IP65
	System	IPX1, optional for IP54
Button function	DDC/CI (Tool)**	Menu/Exit/Up/Down
Option	DICOM Part 14(AAPM)	Yes, support
	Touch Disable	Software mode adjustment
Certification	EMC & Safety	CCC,CE, FCC Class B
Physical Characteristics	Dimensions (W x H x D)	524 x 357 x 58 mm/20.63 x 14.06 x 2.28 in
	Weight	5.5 kg/12.13lb
	VESA Mount	100 x 100; 75 x 75 mm
Environment	Operating Temperature	0 ~ 40 °C/32 ~ 104 °F
	Storage Temperature	-20 ~ 60 °C/-4 ~ 140 °F
Warranty	System	2 years

\*Optional input,SFP+Module x2 (AD Board to HDMI input,AVAS SFP to HDMI output)

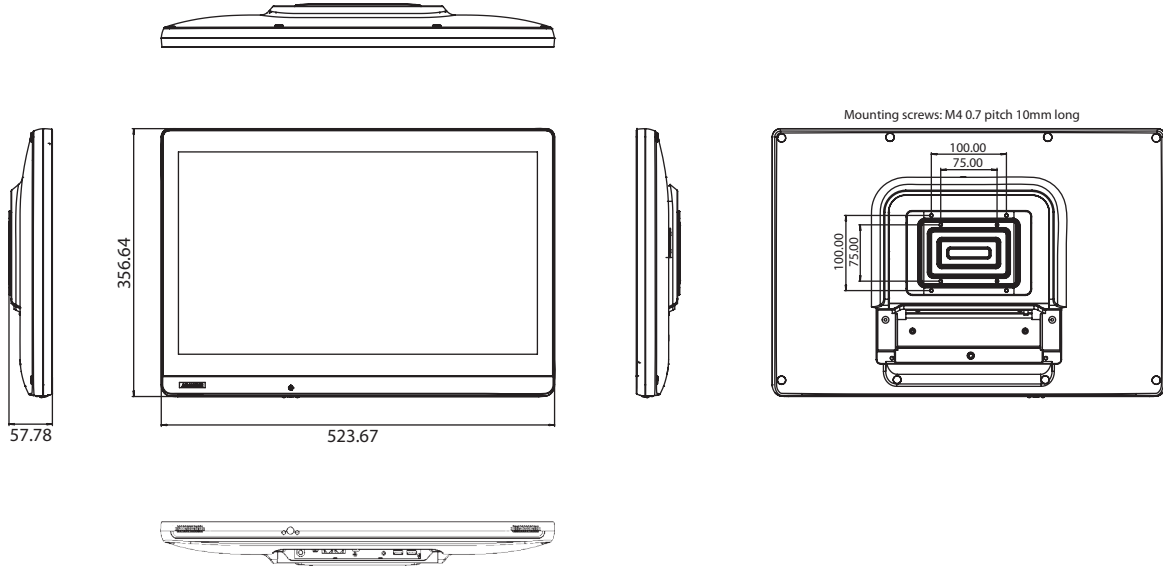
If you have requirements of this specification, you can ask Advantech sales to buy AVAS product

\*\* This tool need to be installed into user's PC, please download from link: [https://www.advantech.com/search?q=PAX-124%20\(M%20Model\)&st=support](https://www.advantech.com/search?q=PAX-124%20(M%20Model)&st=support)

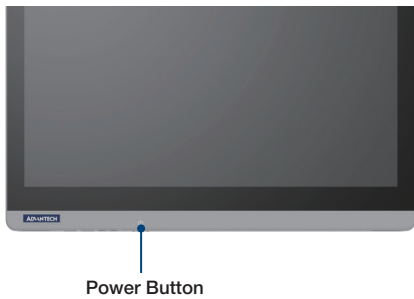
# PAX-121 (M Model)

## Dimensions

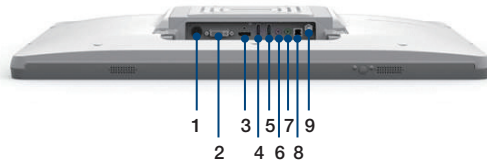
Unit: mm



## Front Function Keys



## I/O Ports



- 1.DC In
- 2.DVI In
- 3.DP In
- 4.HDMI Out
- 5.HDMI In
- 6.Audio In
- 7.Audio Out
- 8.USB B
- 9.Ground Pin

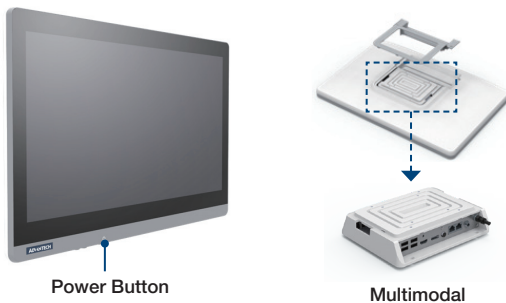
## Ordering Information

Part number	Adapter	Touch Panel & Touch Cable
PAX-121G-C2A-LMC	Yes	Yes
PAX-121G-C2A-LMD	Yes	No

## Multimodal




## Multimodal SKU



## Power Cord List

Part No.	Description
96CB-POWER-B-1.8MA	Power cord (China) 3P 1.8M
1702002605-11	Power cord (EU) 3P 1.8M
1700013977	Power cord (China) 3P 10A 250V 2M
1702002600	Power cord (USA) 3P 10A 125V 1.83M
1700020098	Power cord (Australia) 3P 10A 125V 1.83M
1700001714	Power Cord (Taiwan) 3P 7A 125V 1.8M
1700000237	Power Cord (Japan) 3P 12A 125V 1.83M

### Recommended Mounting Solution

Model Name	ARES-2421R
Part Number	ARES-2421R-HA74100
Photo	
Max. Support Weight	2 - 8kg
Max. Support Panel Size	≤ 27"
VESA Information	75 x 75 mm 100x100 mm

For more information, please click this link: <https://bit.ly/3T7dLMR>